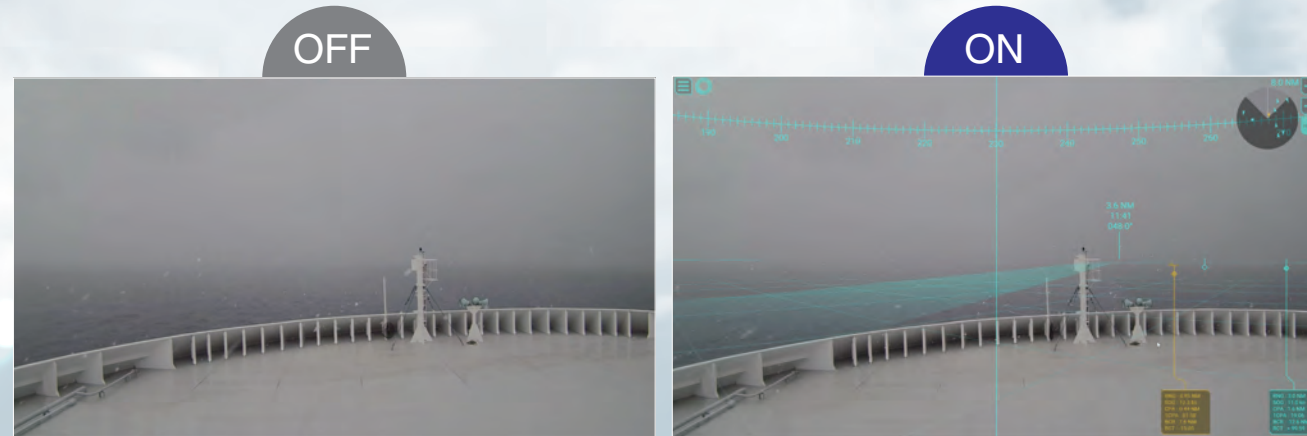


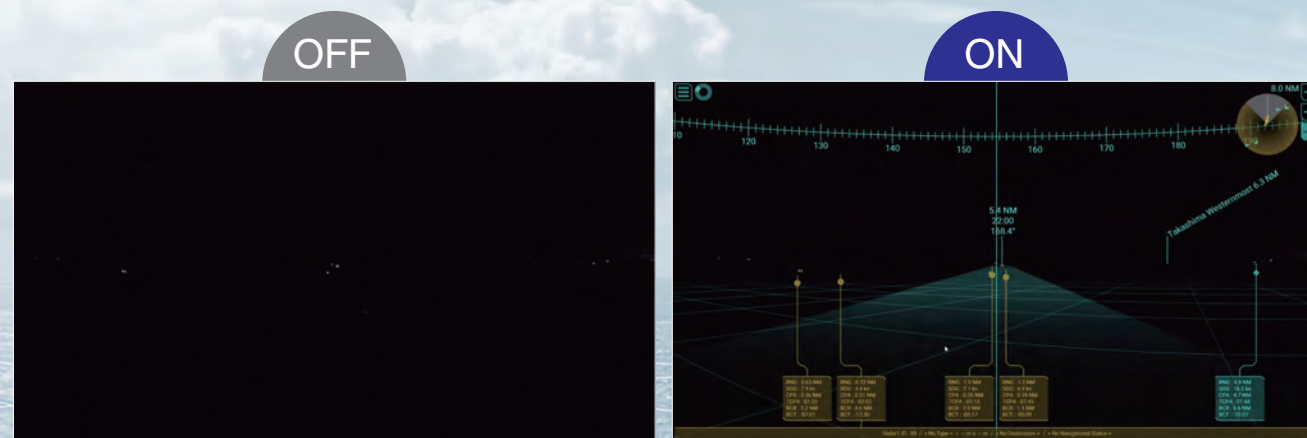
Go Beyond What The Eye Can See

AR information overlaying the screen is particularly useful in poor visibility conditions.

AR Navigation ON/OFF Comparison in bad weather conditions



AR Navigation ON/OFF Comparison during nighttime navigation



* By using a surveillance video camera and overlaying AR information on the display, our AR Navigation system allows for quick and intuitive situational awareness.



Product name	AR Navigation System	
Model name	AR-100M	
Processor		
CPU	Intel®Celeron®N3350 2.4GHz	
Memory	4GB	
Display mode	Target Tracking (TT), AIS, Azimuth, User chart, ENC chart symbol	
Interface	Ethernet	2 ports
	RS-232	1 port
	USB	USB2.0: 4 ports, USB3.0: 2 ports
	HDMI	1 port
Power Supply	100-240 VAC: 0.9-0.4 A, 1 phase, 50-60 Hz	
Data sentences (IEC61162-1/2)	Input GGA, GNS, HDT, OSD, RMB, THS, TLB, TTD, TTM, VDM, VDO, VTG, ZDA	

IP camera	
Resolution	1920 x 1080
Frame rate	25 fps
Video Compressio	H.264 codec
Source	PoE Adapter

PoE Adapter	
Power Supply	100-240 VAC: 0.2-0.08 A, 1 phase, 50/60 Hz

Monitor (option)	
Resolution	1920 x 1080

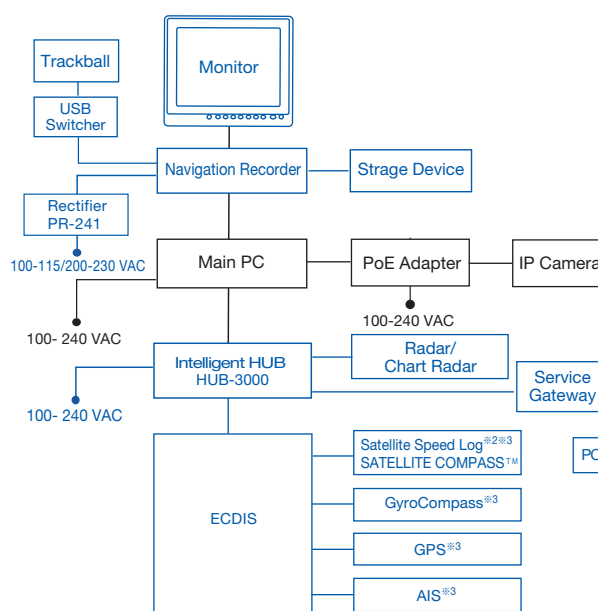
Navigation Recorder (option)	
Recording data format	mp4/jpeg *Audio data not available
Recording duration	Depending on the available size of the storage device, 2 TB can store up to 720 hours of data.

Standard Equipment list

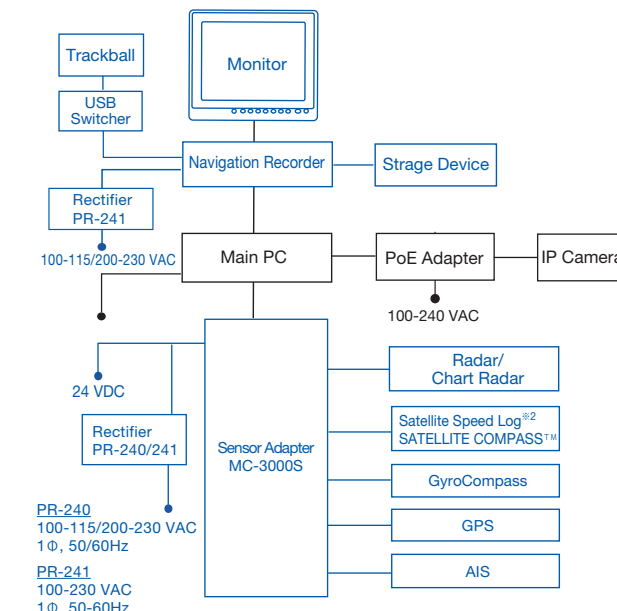
1. Processor
2. IP camera (Visible light camera)
3. PoE Adapter
4. Trackball mouse
5. ENC dongle*
6. Installation materials (HDMI cable 5 m, LAN cable 10 m x2 / 2 m, USB cable 5 m x2, Processor mount kit, IP camera bracket, Screws for bracket, Washer, Aseismic mat for installing POE Adapter)

* ENC dongle provided separately from the box, only if ECDIS is included in the system configuration.

(1) ECDIS is included



(2) ECDIS is not included



- *1 Needed for displaying UKHO® ADP chart
- *2 The level of pitch, roll and yaw compensation may vary depending on the performance and data conversion rate of the connected equipment.
- *3 When 3 or more instruments are connected to the FMD-3100, the sensor adapter MC-1000S is required.
- *4 Windows 10®, Microsoft NET Framework® v4.0, LAN port, FURUNO CAST ADP software, UKHO® ADP software installation and a valid license are needed.

Beware of similar products

All brand and product names are registered trademarks, trademarks or service marks of their respective holders.

SPECIFICATIONS SUBJECT TO CHANGE WITHOUT NOTICE

FURUNO ELECTRIC CO., LTD.
Japan | www.furuno.com
FURUNO U.S.A., INC.
U.S.A. | www.furunousa.com
FURUNO PANAMA S.A.
Republic of Panama | www.furuno.com.pa
FURUNO (UK) LIMITED
U.K. | www.furuno.co.uk
FURUNO NORGE A/S
Norway | www.furuno.no

FURUNO DANMARK A/S
Denmark | www.furuno.dk
FURUNO SVERIGE AB
Sweden | www.furuno.se
FURUNO FINLAND OY
Finland | www.furuno.fi
FURUNO POLSKA Sp. z o.o.
Poland | www.furuno.pl
FURUNO DEUTSCHLAND GmbH
Germany | www.furuno.de

FURUNO FRANCE S.A.S.
France | www.furuno.fr
FURUNO ESPAÑA S.A.
Spain | www.furuno.es
FURUNO ITALIA S.R.L.
Italy | www.furuno.it
FURUNO HELLAS S.A.
Greece | www.furuno.gr
FURUNO (CYPRUS) LTD
Cyprus | www.furuno.com.cy

FURUNO EURUS LLC
Russian Federation | www.furuno.ru
FURUNO SHANGHAI CO., LTD.
China | www.furuno.com/cn
FURUNO CHINA CO., LTD.
Hong Kong | www.furuno.com/cn
FURUNO KOREA CO., LTD
Korea
FURUNO SINGAPORE
Singapore | www.furuno.sg

PT FURUNO ELECTRIC INDONESIA
Indonesia | www.furuno.id
FURUNO ELECTRIC (MALAYSIA) SND. BHD.
Malaysia | www.furuno.my

1-A-19093
Catalogue No. CA000001309



Driving the Digitalization of Navigation



ENVISION

FURUNO ENVISION
A revolutionary solution
Designed for the future of navigation

AR Navigation System

More details on
www.furuno.com



Go Beyond What The Eye Can See

Beyond Reality

The FURUNO ENVISION series is our all-new advanced "AR Navigation System" (Augmented Reality Navigation System) that provides an advanced navigation support tool, using the power of AR to go beyond reality.

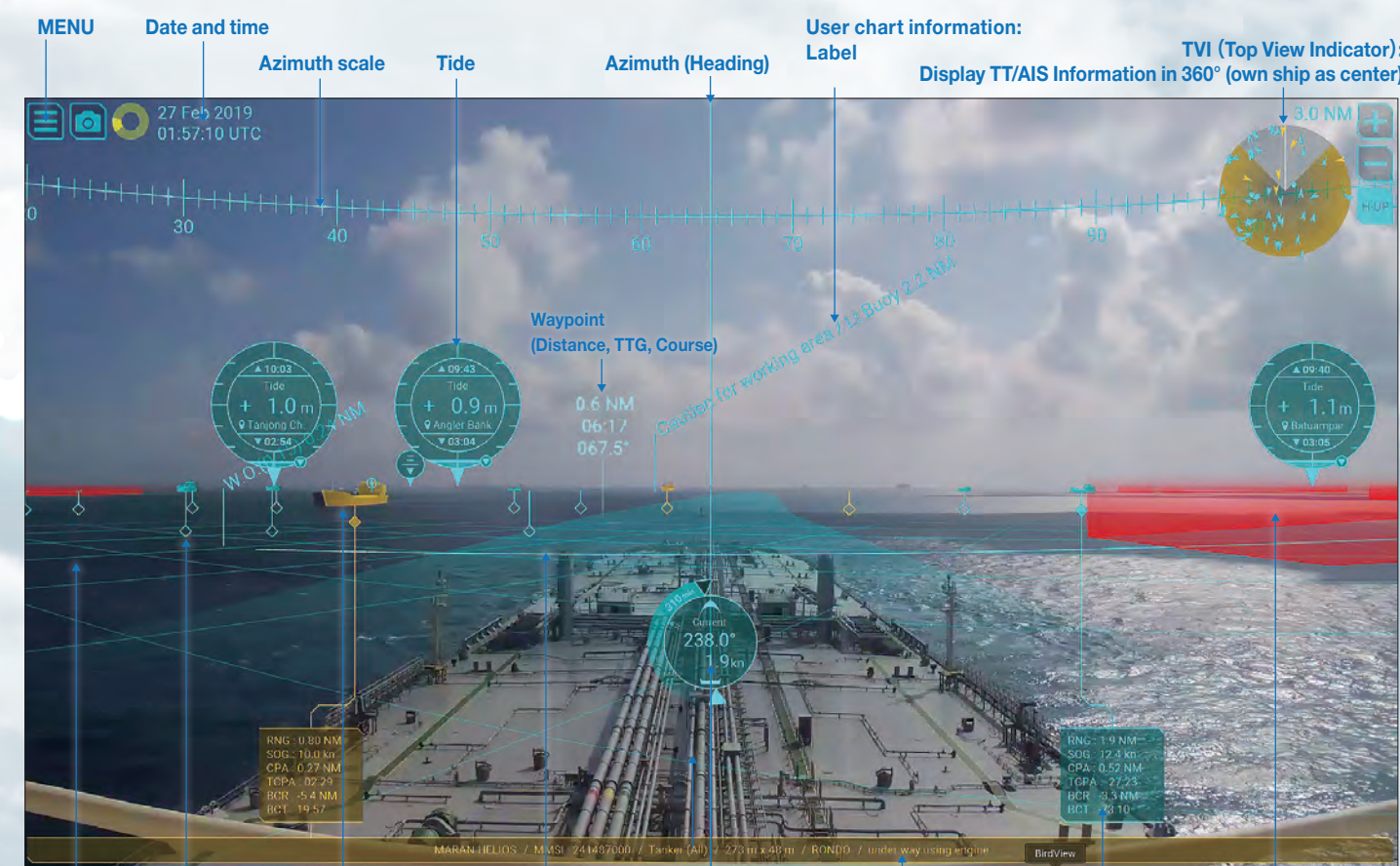
Thanks to a camera pointed forward of the vessel, an image of the front view projects on a display and all the necessary navigation information is superimposed over this live video imagery by our AR technology. Even in adverse weather or visibility conditions, you can clearly view other vessels' routes and critical information, as well as own ship data, allowing you stress-free maneuvering and navigation. This very intuitive way to display and share the information between the captain and the bridge team provides enhanced situational awareness, crew confidence, watchman support, and allows for better coordination of crew members.

The FURUNO ENVISION series aims to contribute to the safety and security of the voyage by offering visual support to maneuvering and navigation during any operation, a further technological step towards autonomous navigation.

※AR navigation is an auxiliary tool designed to improve the navigation comfort for safer navigation. In no case should AR navigation replace Radar, ECDIS etc. and other required instruments for danger avoidance.

AR OVERLAY

- Azimuth ● AIS ● Heading ● Radar Target Tracking (TT)
- Route ● Waypoint ● User chart & ENC symbols
- UKHO® ADP current and tide display (option)



Selection marker: Click to display TT or AIS information

Target shape: Digital representation on AIS target

Current (Data on nearest location)

User chart information: No-go area

Grid: Own coordinates or World coordinates

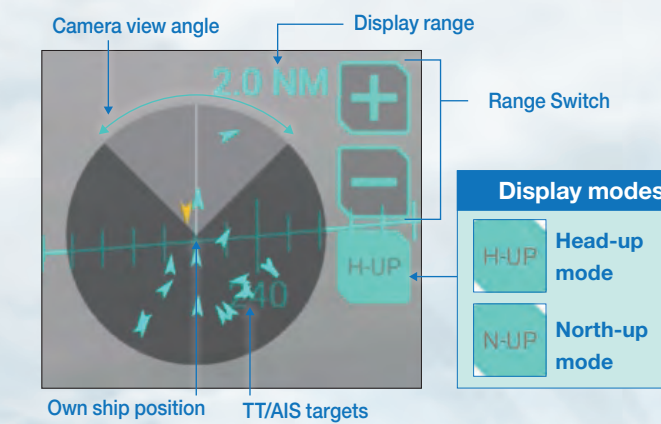
Navigation route (Planned route): Route synchronized with ECIDS

Additional target information

Target Information box

TVI (Top View Indicator)

Displays other ships by either Target Tracking (TT) or AIS in 360 degrees with own ship as center.

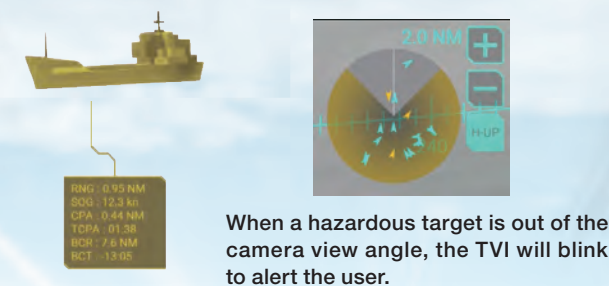


	HDG / COG off	HDG / COG on
AIS	●	▲ (HDG > COG)
TT	●	▲ (COG)

Intuitive color-coded display for targets*

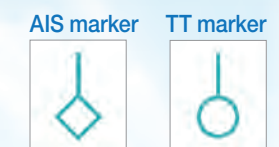
Based on CPA/TCPA value, TT and AIS targets will be displayed in different colors according to their threat level. (TVI, selection marker, target information frame, target)

* Colors adjustable (Yellow, Orange and Red are available)



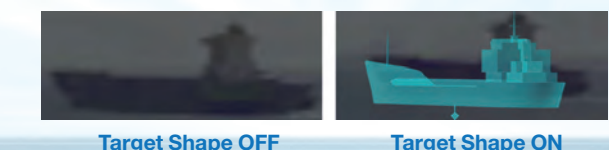
Selection marker and Target information box

Other ship information are collected by either TT or AIS are indicated with specific marks. When a mark is clicked, a box containing the information will open.



Target shape

By superimposing the graphical virtual shape over AIS targets (virtual buoy, buoy, boat, tanker), it becomes easy to visually grasp the location of dangerous targets and their directions.



Safety Contour display

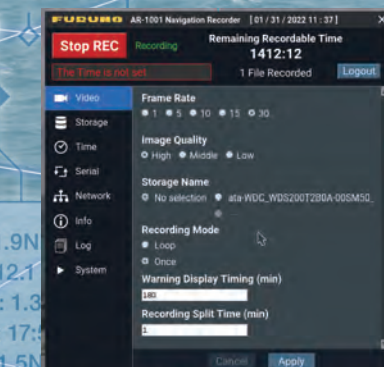
With ENC chart safety contours, objects can be displayed with Yellow/Orange/Red color contours.



Navigation data recording function (option)

By recording navigation data to an external USB device, events during an accident at sea can be analyzed and used as training materials for the crew.

RNG: 1.9NM
SPD: 12.1 kn
DCPA: 1.3 NM
TCPA: 17:58
BCR: 1.5NM
BCT: -11:12



Navigation recorder menu display

For additional information AR Navigation features, scan to visit our YouTube channel.

*Image is for illustration purposes.